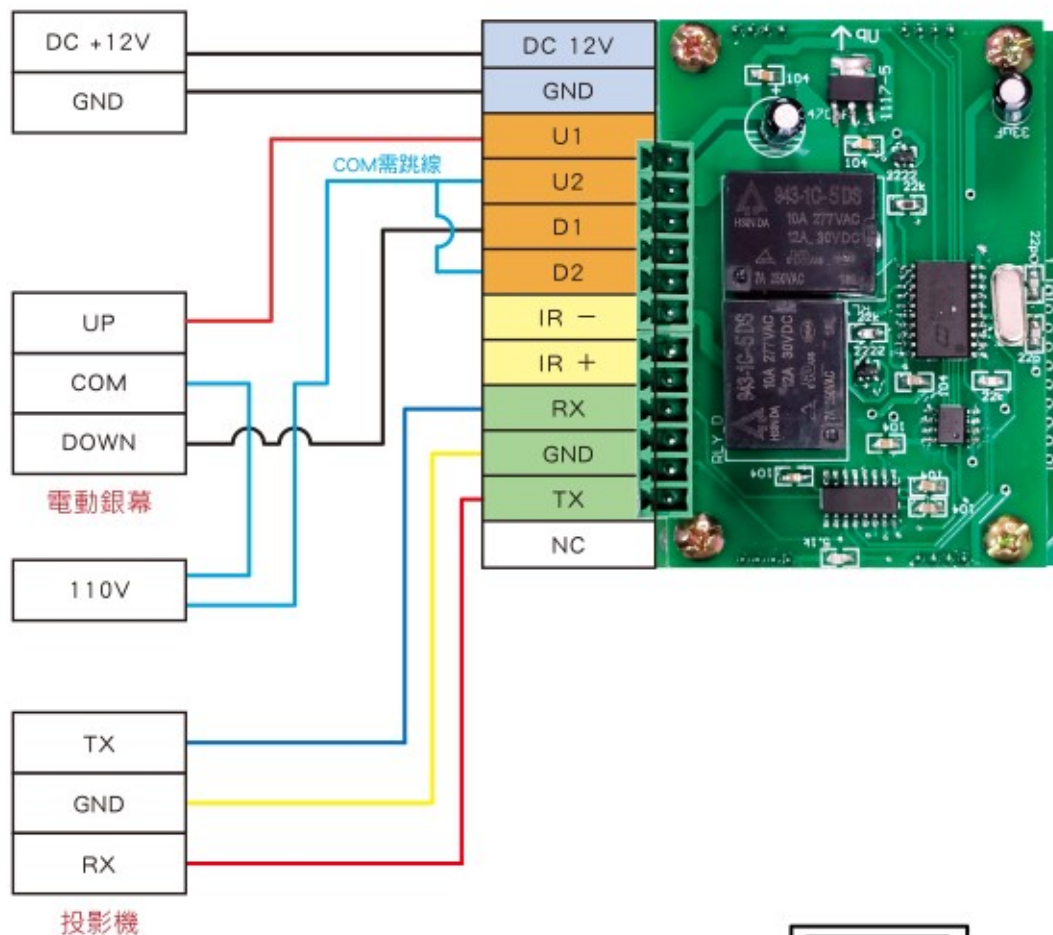
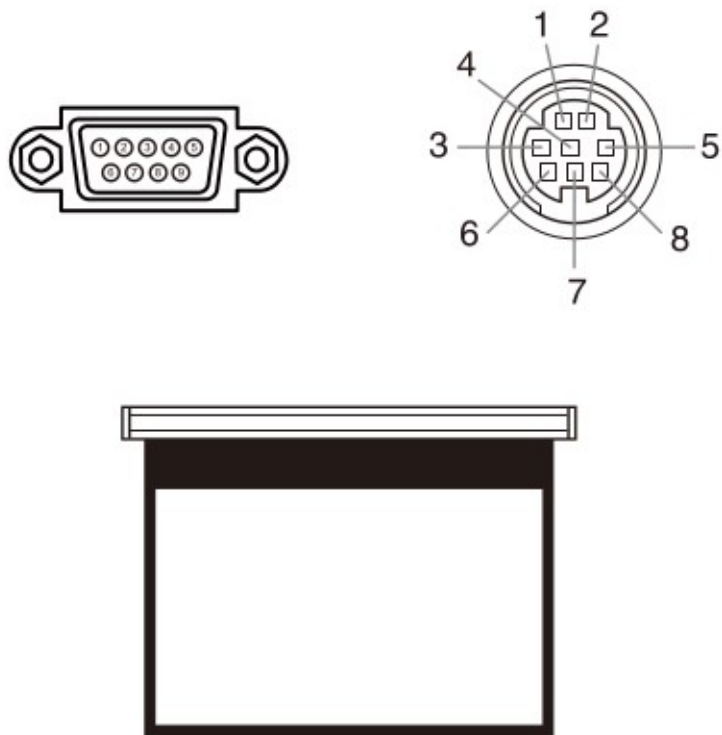
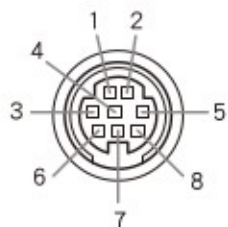


9 Key 環控面板接線說明

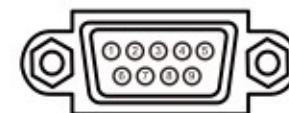


PS . 1、投影機之RS-232配線請使用標準24AWG隔離線，中間請勿剪線對接。
 2、投影機之RS-232如無法控制，請對調TX與RX腳位，再試試看。

● Pin assignment



Pin No.	Signal Name	Description
1	RXD	Receiving data
2	CTS	Consent to send
3	DSR	Data set ready
4	GND	Signal ground
5	RTS	Request to send
6	N.C	No connection
7	TXD	Sending data
8	N.C	No connection



● RS-232C

Pin	Signal	Pin	Signal	Pin	Signal
1	(No connection)	4	(No connection)	7	RTS
2	RD	5	Ground	8	CTS
3	TD	6	(No connection)	9	(No connection)